

Tube connector gas-block end

DB 10 tube hinge d:1.8 - 4.5 mm - divisible

Article number: 510496

Date: 08-02-2023

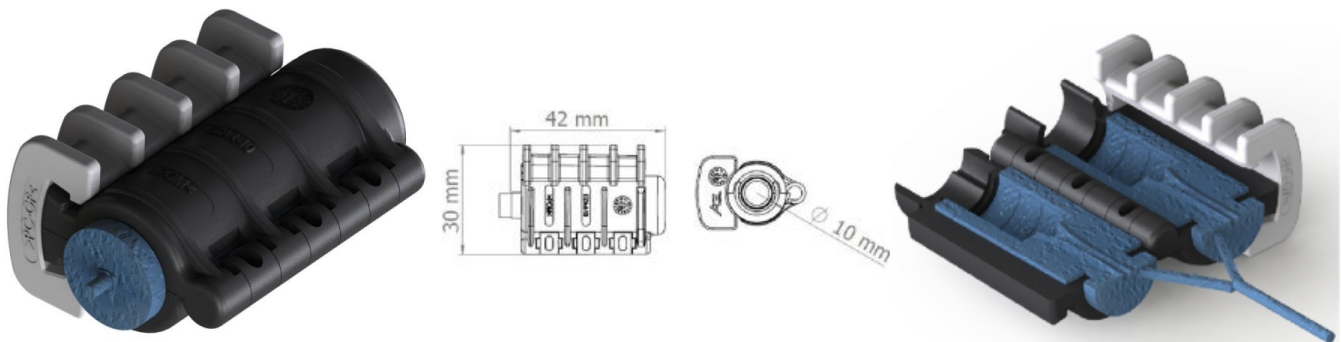
Three versions of the re-usable divisible connector exist:

- Divisible tube connector straight
- Divisible tube connector straight with gas-block functionality
- Divisible tube connector end with end stop and gas-block functionality

All divisible connectors have high retention with the connected tube. Divisible tube connectors with gas-block functionality has a wide sealing range and offer also good retention on the cable.

All divisible tube connectors can be installed without tooling.

Tube connector gas-block end
DB 10 tube hinge d:1.8 - 4.5 mm - divisible



Product characteristics

Type	Gas-block
Tube outer diameter 1	10
Way of locking	Clip
Tube material	HDPE
Cable diameter (min..max)	1.8/4.5 mm
Length	42 mm
Outer diameter	29.8 mm
Material connector	Plastic
Netto Weight	16 g
Re-usable	Yes



1

Netto Weight (kg/m)	0.016
---------------------	-------

Application

Application	DB
-------------	----

Mechanical specification

Tensile load	300 N
Gastight	0.5 bar
Max. pressure	4 bar

Logistical specifications

Unit	piece(s)
Packing unit	40