

Drill guide Ø28 mm - Suitable for drill Ø26 mm under 4° angle

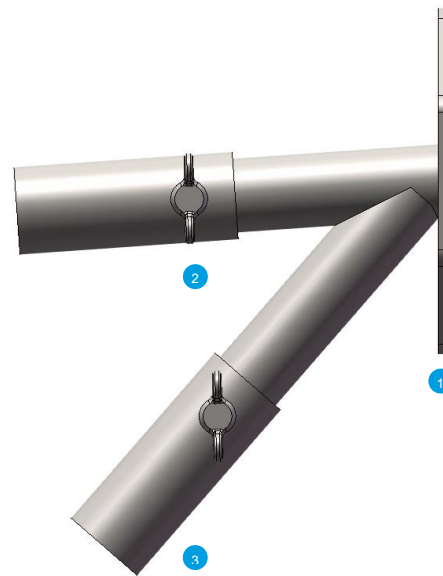
ACE-DS-613503-v01-e

datum : 05-07-2021

The drill guide is a tool to drill a Ø26mm hole in an exterior wall in a controlled way.

The drill guide's bore is 94° to the wall surface, so that the pipe to be introduced slopes into the borehole (4°).

A second lead-through on the drilling tool can be connected to the vacuum cleaner to prevent dust and drill cuttings from entering the free space uncontrollably.



- 1 Wall plate
- 2 Pass-way for the drill, with a length adjustment
- 3 Dust extraction

Functionality

The drill guide is temporarily fixed to the wall with two screws. It has been determined in advance how thick the wall is and how deep the wall must be drilled (this is the combination of outer wall – air gap – inner wall). The drilling depth can be checked by extending and securing the drill passage.

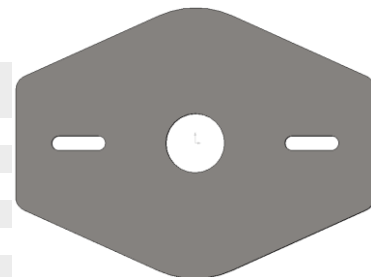
Parts of the drilling guide

The drilling guide consists of three parts that are delivered as an assembled whole. The parts are connected to each other by welding joints.

Wall plate

The wall plate is a metal plate, which provides strength when drilling a hole. Stability is guaranteed by (temporary) mounting the plate in two places.

Material		RVS 1.403 (X5CrNi18-10)
Color		Metal
Height	[mm]	150
Width	[mm]	200
Thickness	[mm]	3
Centre distance holes	[mm]	130
Drilling holes		
- Length	[mm]	22
- Width	[mm]	8





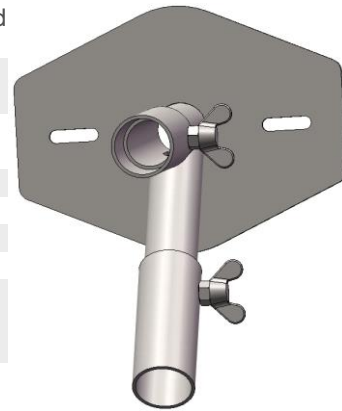
Drill passage and dust extraction

The drill passage is fitted with a wing nut 20mm from the end, to optionally extend the with an extra pipe length.

Material		RVS 1.403 (X5CrNi18-10)
Color		Metal
Outer diameter drill passage and dust extraction	[mm]	32
Inner diameter drill passage and dust extraction	[mm]	28
Wing nut		DIN 316-M8
Length drill passage	[mm]	152.2
Length extraction	[mm]	150
Extension pipe		
- Inner/outer diameter	[mm]	38/34
- Length	[mm]	95

The extension tube is fitted with a nut which is welded.

Nut specification ISO – 4032-M8



Logistics information

The drill guide is supplied per piece.

MOQ = 1 pcs